

Novatech®



300 SERIES | ALL PVC - LOW MAINTENANCE

2



CHOICE OF OPENINGS AND SIZES *Exterior view

X= OPERATING PANEL
O= FIXED PANEL

5'	6'	8'	9' & 12'	9' & 12'	10', 12' & 16'																												
<table border="1"> <tr><td>O</td><td>X</td></tr> <tr><td>X</td><td>O</td></tr> </table>	O	X	X	O	<table border="1"> <tr><td>O</td><td>X</td></tr> <tr><td>X</td><td>O</td></tr> </table>	O	X	X	O	<table border="1"> <tr><td>O</td><td>X</td></tr> <tr><td>X</td><td>O</td></tr> </table>	O	X	X	O	<table border="1"> <tr><td>O</td><td>X</td><td>O</td></tr> <tr><td>X</td><td>O</td><td>O</td></tr> <tr><td>O</td><td>O</td><td>X</td></tr> </table>	O	X	O	X	O	O	O	O	X	<table border="1"> <tr><td>X</td><td>O</td><td>X</td></tr> </table>	X	O	X	<table border="1"> <tr><td>O</td><td>X</td><td>X</td><td>O</td></tr> </table>	O	X	X	O
O	X																																
X	O																																
O	X																																
X	O																																
O	X																																
X	O																																
O	X	O																															
X	O	O																															
O	O	X																															
X	O	X																															
O	X	X	O																														
59 1/2" x 79 1/2" or 95 1/2"	71 1/2" x 79 1/2" or 95 1/2"	95 1/2" x 79 1/2" or 95 1/2"	107" x 79 1/2" or 95 1/2" 143" x 79 1/2" or 95 1/2"	107 1/2" x 79 1/2" or 95 1/2" 143 1/2" x 79 1/2" or 95 1/2"	116 1/2" x 79 1/2" or 95 1/2" 140 5/8" x 79 1/2" or 95 1/2" 188 11/16" x 79 1/2" ou 95 1/2"																												

Sizes up to 16' x 8 (W x H)

ABSOLUTE REFINEMENT. A SURE VALUE
 WELDED PVC FRAME | WELDED PVC PANELS

301

3

ALSO AVAILABLE :
 INTEGRATED ALUMINUM MINI-BLINDS
 OPTIONS - SATIN GREY

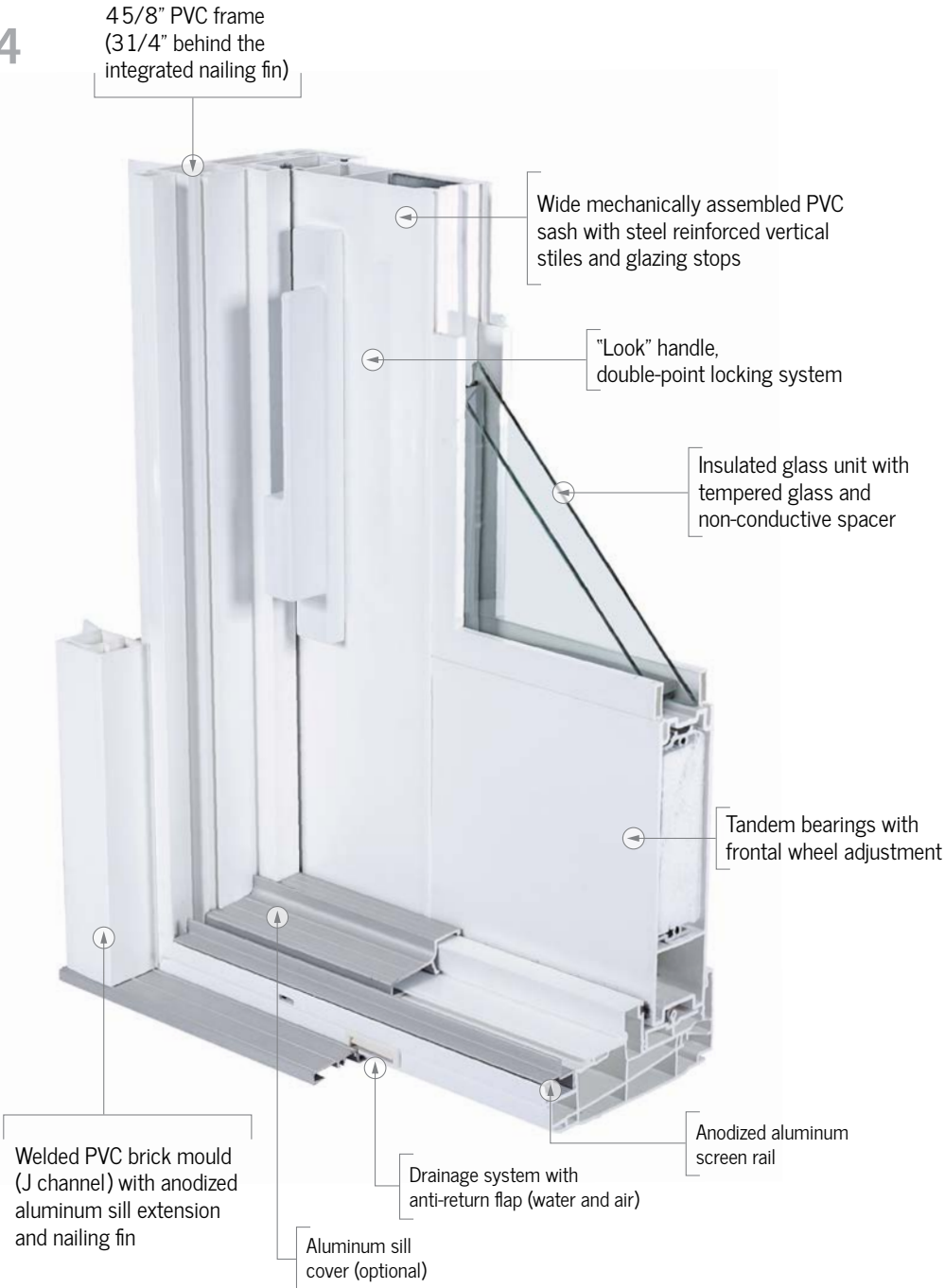


PERFORMANCES

Harmonized Standards - 96" x 80"	Air-tightness	Water-tightness	Structure	Overall
AAMA/WDMA/CSA101/IS.2/A440-08	PASSED	360 Pa (470 Pa)	DP-50	PG-R50

Energy efficiency
Double Glazed, Low E 80/70 face #3 ER 34 / U 1.76
Double Glazed, Low E 80/70 face #2 ER 31 / U 1.76
Double Glazed, Low E 62/27 face #2 ER 16 / U 0.29 / SHGC 0.23
Triple Glazed, Low E 80/70 face #5 ER 39 / U 1.36 / SHGC 0.53
Triple Glazed, Low E 80/70 face #2 & #5 ER 40 / U 1.19 / SHGC 0.48

4



CHOICE OF OPENINGS AND SIZES *Exterior view

X= OPERATING PANEL
O= FIXED PANEL

5'	6'	8'	9' & 12'	9' & 12'	10', 12' & 16'																												
<table border="1"> <tr><td>O</td><td>X</td></tr> <tr><td>X</td><td>O</td></tr> </table>	O	X	X	O	<table border="1"> <tr><td>O</td><td>X</td></tr> <tr><td>X</td><td>O</td></tr> </table>	O	X	X	O	<table border="1"> <tr><td>O</td><td>X</td></tr> <tr><td>X</td><td>O</td></tr> </table>	O	X	X	O	<table border="1"> <tr><td>O</td><td>X</td><td>O</td></tr> <tr><td>X</td><td>O</td><td>O</td></tr> <tr><td>O</td><td>O</td><td>X</td></tr> </table>	O	X	O	X	O	O	O	O	X	<table border="1"> <tr><td>X</td><td>O</td><td>X</td></tr> </table>	X	O	X	<table border="1"> <tr><td>O</td><td>X</td><td>X</td><td>O</td></tr> </table>	O	X	X	O
O	X																																
X	O																																
O	X																																
X	O																																
O	X																																
X	O																																
O	X	O																															
X	O	O																															
O	O	X																															
X	O	X																															
O	X	X	O																														
59 3/8" x 79 1/2" or 95 1/2"	71 3/8" x 79 1/2" or 95 1/2"	95 3/8" x 79 1/2" or 95 1/2"	107 1/2" x 79 1/2" or 95 1/2" 143 1/2" x 79 1/2" or 95 1/2"	107 1/2" x 79 1/2" or 95 1/2" 139 5/8" x 79 1/2" or 95 1/2"	116 3/4" x 79 1/2" or 95 1/2" 140 3/4" x 79 1/2" or 95 1/2" 188 13/16" x 79 1/2" ou 95 1/2"																												

Sizes up to 16' x 8 (W x H)

THE WIDE SASH EVOKES THE CHARM OF A GARDEN DOOR
 WELDED PVC FRAME | MECHANICALLY ASSEMBLED PVC SASHES

370

5



PERFORMANCES

Harmonized Standards - 96" x 80"	Air-tightness	Water-tightness	Structure	Overall
AAMA/WDMA/CSA101/IS.2/A440-08	PASSED	360 Pa	DP-50	PG-R50

Energy efficiency

Double Glazed, Low E 80/70 face #3	ER 27 / U 1.82
Double Glazed, Low E 80/70 face #2	ER 25 / U 1.82
Double Glazed, Low E 62/27 face #2	ER 12 / U 0,31 / SHGC 0.19
Triple Glazed, Low E 80/70 face #5	ER 31 / U 1.53 / SHGC 0.43
Triple Glazed, Low E 80/70 face #2 & #5	ER 32 / U 1.36 / SHGC 0.39

Testing performed in a laboratory

OPTIONS

OFFERED DEPENDING ON THEIR AVAILABILITY FOR EACH MODEL

6

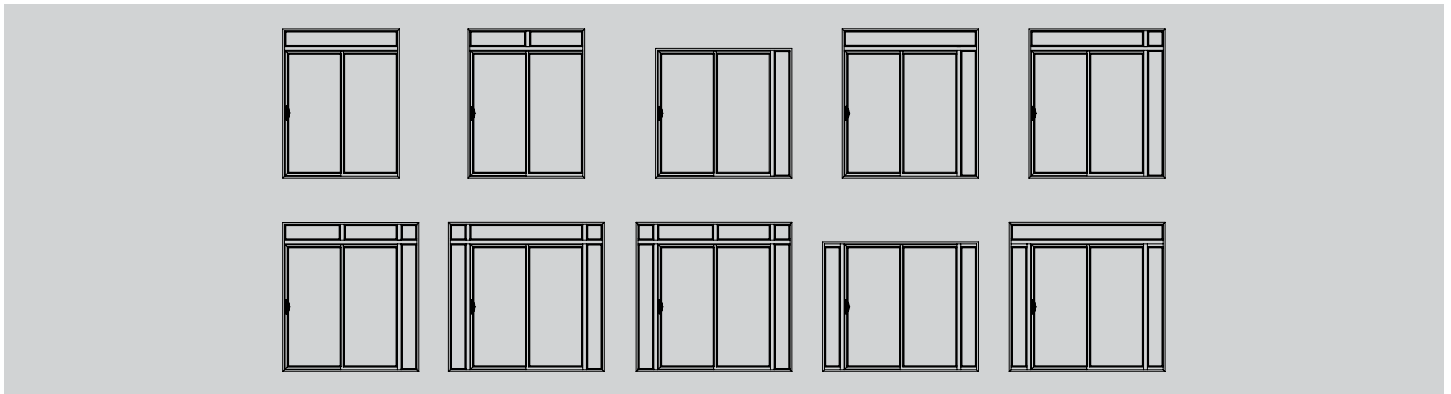
301 WELDED PVC FRAME WELDED PVC PANELS

- Recommended for renovation and new construction, residential projects.
- Thermally welded frame & panels.
- Large glass area and minimal frames in your view.
- Excellent quality and performance ratio.
- All PVC construction with integrated nail fin and easy installation.

370 WELDED PVC FRAME MECHANICALLY ASSEMBLED PVC PANELS

- The 370 combines the practicality of a sliding door with the look of a garden door.
- Thermally welded frame with direct set fixed panel.
- A direct set fixed panel keeps the door square when assembled.
- Excellent quality and performance ratio.
- All PVC construction with integrated nail fin and easy installation.

TRANSOMS AND SIDELITES



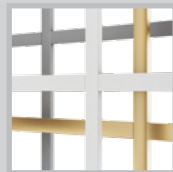
GRIDS



Hanging grids
3 x 1

Perimeter / Prairie grids
3 x 5

Regular grids
3 x 5 or 3 x 6



Rectangular / Flat 5/16"



Rectangular / Flat 5/8" or 1"



Georgian / Contoured 5/8" or 1"

OPTIONS CHART

	301	370
Transoms	•	•
Sidelites	•	•
Paint	•	•
Low E glass	STD	STD
Triple glass up to 16' x 8'	•	•
Tinted grey or bronze glass	•	•
Integrated blinds with Low E glass - White	•	—
Integrated blinds with Low E glass - Satin Grey	•	—
Grids	•	•
Brick mould and sill extension	•	•
Nail fin	•	•
Security bar	•	•
Head lock	—	•
Foot lock	•	•
Double-point mortise lock	•	STD
View handle	•	•
Keyed lock	•	•
Reinforced screen	•	•

COLORS



7

HANDLES

LOOK (STANDARD)

VIEW (OPTION)



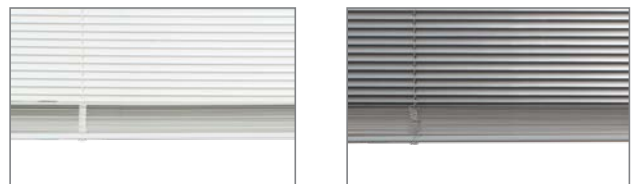
Available in white, oil rubbed bronze (paint), and satin nickel

Double-point mortise (OPTION)

INTEGRATED BLINDS



Integrated aluminum mini-blinds with Low E glass



White or Satin grey. Available only in 79 1/2" height.

Please contact your retailer for the availability of these options. Custom configuration possibilities.

Worry-Free Warranty



20 years limited warranty on white PVC and Aluminum extrusions.



20 years limited warranty on sealed units.



10 years limited warranty for the paint on PVC or Aluminum.



5 years limited warranty on hardware.



1 year limited warranty starting on the date of delivery, applied to all manufacturing defects of the product as well as to labor and transportation costs.

Consult your retailer for more information on our Warranty.



grouphenovatech.com

